

EFBW series - BiWire Ultra control panel



Eaton's new BiWire Ultra fire detection system is unlike any other standard conventional system as the panel, conventional detectors, sounders and EN54-23 approved beacons all share the same zone wiring. This delivers significant savings in both cable and installation costs without sacrificing the systems capability.

Supporting up to 52 devices per zone, all panels in the range have the facility to flash detector LED's to facilitate the location of any wiring faults.

Features

- Choice of 2, 4 and 8 zone control panels
- Detectors and sounders share the same wiring
- One man test facility
- Class change input
- Interlink relay functionality for connecting 2 BiWire Ultra panels together
- Supports an expansion card for Fire Routing Equipment, Fire Protection Equipment and fire relays per zone.
- Modern and discreet enclosure

Benefits

- Tailored to the size and need of the building
- Reduced cost of installation
- Simple system testing by a single fire alarm technician
- Capability to sound class change bell in schools
- Interlink relay allows for greater system flexibility
- Comprehensive protection for safety of building occupants
- ? aVWd Ww[Y'

	EFBW2ZONE	EFBW4ZONE	EFBW8ZONE
No. of zones	2	4	8
Detectors per zone	32	32	32
Maximum loading per zone	200mA	200mA	200mA
Repeater Port	✓	✓	✓

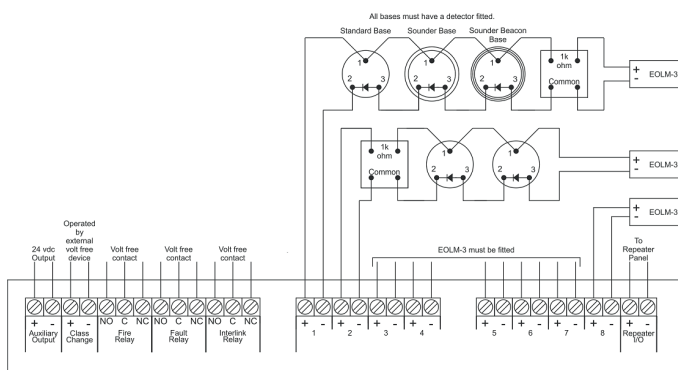
Specifier's guide

4.2 Control panels and repeater panels

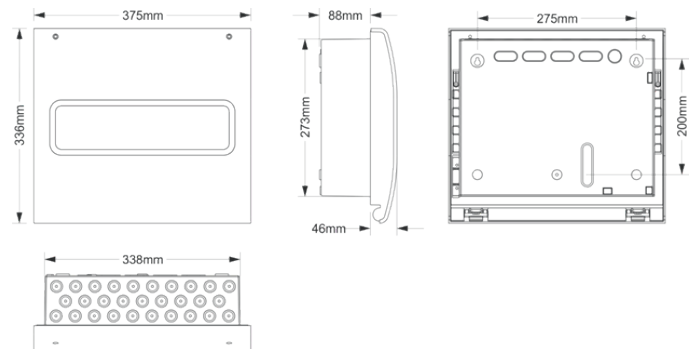
Technical specification

Code	EFBW2ZONE	EFBW4ZONE	EFBW8ZONE
Description	2 zone panel	4 zone panel	8 zone panel
Specification			
Number of Zones	2	4	8
Devices Per Zone	Max of 32 Detectors and Manual Callpoints, Zone loading cannot exceed 200mA in alarm		
Maximum Loading Per Zone	200mA		
Standby Zone Voltage	Min: 22V DC, Max: 24V DC		
Alarm Zone Voltage	Min: 31V DC, Max: 33V DC		
Fuse Protection Per Zone	250mA PTC		
End of Line Termination	EOLM-3 Only (Do not use EOLM-1 or EOLM-2)		
Fire, Fault & Interlink Relay	Type: Volt-Free, Single Pole Double Throw, Rating: 30V DC, 1A, Fuse 1.1A PTC		
Auxiliary Output	V: 0V DC (Standby)/30V DC (Alarm +/-10%), I _{max} : 50mA, Fuse: 50mA PTC		
Class Change	Short circuit to trigger input, open circuit to clear input		
Mains rating	230V Ah +10%/-15% 50Hz		
Battery rating	2 x 12V 5Ah		
Changeable power fuses	Mains 1A anti surge Battery 6-3A anti surge		
Repeater Port	Yes		
Environmental			
Operating temperature	-5 °C to +40°C		
Relative humidity	93% +/-3% non-condensing		
IP Rating	IP30		
Physical			
Weight (excluding batteries)	2.25kg		
Material	PC ABS Front and Rear		
Cabling			
Cable access	29 x 20mm drill positions Slots for rear cable entry		
Cable type	Firetuf FT120 / FP200 2 core 1.5mm, 2 screened fire rated cable, 500m (max per zone)		

Standard panel connections

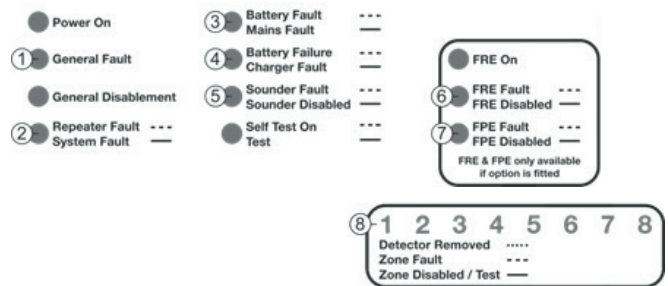


Dimensions



Description	Height (mm)	Width (mm)	Depth (mm)
Complete Panel	336	375	134
Backbox	273	338	88

Status indication



- When the fire panel enters a fault condition it will turn on the General Fault indicator and the appropriate fault indicator (refer to 8 for more details). The panel buzzer will sound a slow pulsing tone.
- System Fault – Severe failure of the panel, the service company must be contacted immediately.
Repeater Fault – Communication with a repeater panel has been lost
- Battery Fault – Battery voltage missing
Mains Fault – Mains supply missing
- Battery Failure – Battery impedance failure
Charger Fault – Charger voltage missing
- Sounder Fault – Short circuit or open circuit condition detected on the zone will prevent the activation of sounders if fitted on that zone
- FRE Fault – Short circuit or open circuit condition detected on the FRE output
- FPE Fault – Short circuit or open circuit condition detected on the FPE output
- Detector Removed Fault – A detector head has been removed
Zone Fault – Short circuit or open circuit condition detected on the zone.

Catalogue numbers

Description	Code
Eaton 2 zone BiWire Ultra panel	EFBW2ZONE
Eaton 4 zone BiWire Ultra panel	EFBW4ZONE
Eaton 8 zone BiWire Ultra panel	EFBW8ZONE
BiWire End of line module	BWEOLM
2 zone relays + FRE/FPE	BW0B2Z
4 zone relays + FRE/FPE	BW0B4Z
8 zone relays + FRE/FPE	BW0B4Z